

# ***Barkbusters***

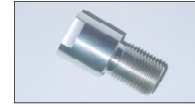
[www.barkbusters.net](http://www.barkbusters.net)

**ADAPTOR KIT for**  
(to be used with **STM-007-01,**  
**BBZ-001 & AGP-001**)

## **IMPORTANT:**

This adaptor kit is to be used in conjunction with the instructions and handguard kit **STM-007-01, BBZ-001 & AGP-001**.

**15** Threaded Adaptor



PN: BESF3

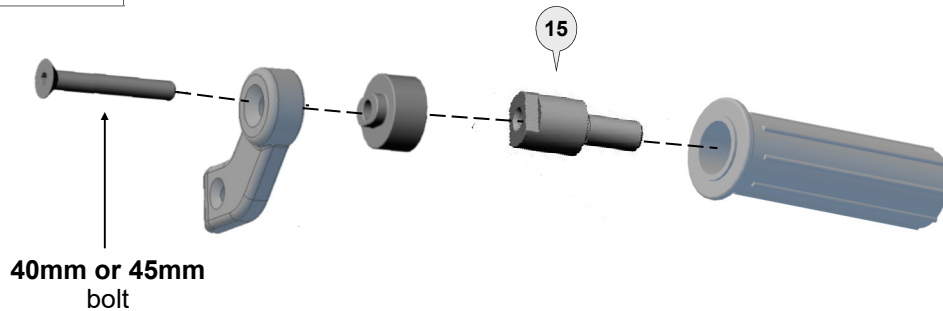
Pcs.

2

## **INSTRUCTIONS:**

- Ensure bolt M8x40mm or M8x45mm Flat Head is used.
- A medium thread locking compound applied to the Threaded Adaptor (15) is recommended.
- Remove Original bar end weight.
- Insert the Threaded Adaptor (15).
- Tighten threaded adaptor (15) into the handlebar to 20 Nm (14.8 lbf ft).

**LEFT SIDE**



INS-B-083

**RIDEWORX**

Phone: +61 (0)2 4271 8244  
Email: [info@barkbusters.net](mailto:info@barkbusters.net)  
Web: [www.barkbusters.net](http://www.barkbusters.net)