

# Barkbusters

## FITTING INSTRUCTIONS for...

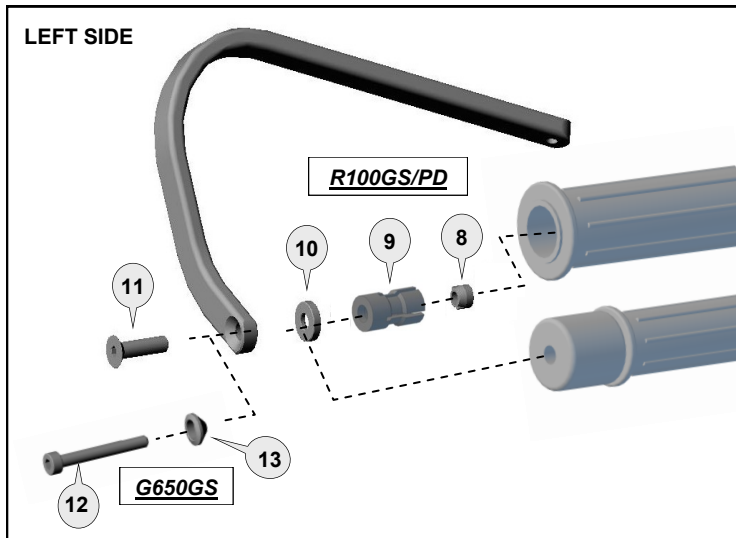
[www.barkbusters.net](http://www.barkbusters.net)

BMW G650GS ('11 on)  
BMW G650GS Sertao ('11 on)  
BMW R100GS/PD - non heated grips (up to  
1990)

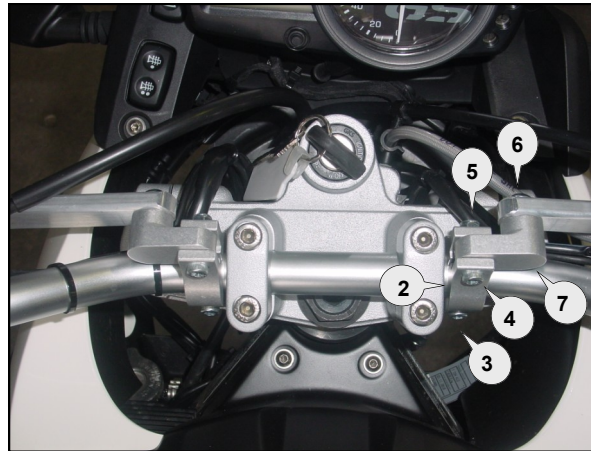
### Preparation

**R100GS/PD:** If the handlebar grips are not open at the end they will need to be cut open for the handguard to be fitted. Use a sharp knife to cut a hole in the end of each handgrip. On the right side the hole size should be neat and no smaller than the inside diameter of the throttle tube. Loosen the throttle assembly to move it outward about 20mm. Roll back the end of the grip and use a hacksaw to carefully cut off the end cap of the plastic throttle tube. Do not remove more than 3mm and take care not to cut the underlying handlebar. Before refitting, remove any burrs that could restrict throttle movement.

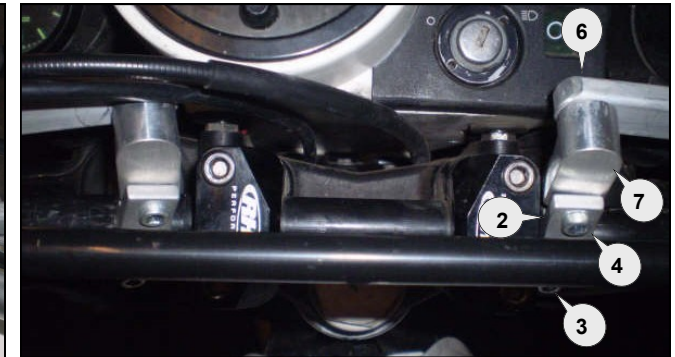
**G650GS:** Remove bolt from bar end weight.



Loosely assemble clamp to the handlebar with applicable parts. Attach the handguard backbone with applicable parts to the handlebar end and also to the clamp connector (7).

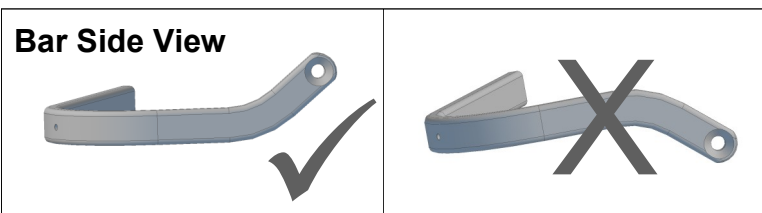


G650GS



R100GS/PD

**Important:** Be sure to tighten clamp bolt (4) before bolt (3) to securely lock the clamp connector (7) between the two clamp halves (2).




Bar Side View

**Personalise Your Protection**  
Guard options sold separately

<b>JET</b>	JET-003
<b>VPS</b>	VPS-003
<b>Storm</b>	STM-003
<b>CARBON</b>	BCF-003


**RIDEWORX**

**1** Aluminium Bar



PN: BAR-V-050  
Pcs. 1 Left & 1 Right

**2** Clamp Saddle



PN: CS-STD  
Pcs. 4 pieces

**3** Socket Head Bolt 30mm



PN: M6x30SHCSZP  
Pcs. 2

**4** Socket Head Bolt 25mm



PN: M6x25SHCSZP  
Pcs. 2

**5** Nylock Nut 6mm




PN: M6LN  
Pcs. 4

**6** Button Head Bolt 25mm



PN: M8x25BHCSZP  
Pcs. 2

**7** Clamp Connector



PN: CP3  
Pcs. 2

**8** Taper Nut



PN: NUT12  
Pcs. 2

**9** Expander



PN: BBE17  
Pcs. 2

**10** Collar



PN: BBEC5m  
Pcs. 2

**11** Flat Head Bolt 45mm



PN: M8x45FHCSZP  
Pcs. 2

**12** Socket Head Bolt 55mm



PN: M6x55SHCSZP  
Pcs. 2

**13** Bolt Adaptor



PN: S7-BA  
Pcs. 2

Recommended Torque Settings	
M6	10 Nm (7.4 lbf ft)
M8	20 Nm (14.8 lbf ft)

**CAUTION:**

Installation of the handguard is safety-relevant work and can be complicated. We recommend the installation be performed by a motorcycle service technician. Rideworx accepts no liability for damages caused by improper mounting. All screws, bolts and nuts, including all replacement hardware provided by Rideworx, should be tightened to the torque specified in the below table. After the first 50km of riding check all screws, bolts and nuts are tightened to the correct torque. We recommend a medium strength liquid thread lock product on all fasteners.

**WARNING:**

It is important there is a working clearance (approx 3mm) between the throttle grip end and the handguard to ensure a free closing throttle. Check operation of all handlebar controls, specifically the throttle, front brake, kill switch and clutch to ensure they are operating correctly and are in accordance with the OEM specifications. Do not ride the motorcycle if any controls are not operating correctly. Check periodically that all bolts are tight.



Phone: +61 (0)2 4271 8244  
Email: info@barkbusters.net  
Web: www.barkbusters.net



**Disclaimer:**

A failure to follow these fitting instructions could cause serious injury, death or property damage. These handguards are intended solely for use with motorcycles/ATV/snowmobiles/scooters that have not been modified. They are not designed to prevent injury or death while riding or in an accident or crash. The user must ensure that all controls are free of the handguards every time that they ride. By installing and/or using this product you acknowledge that you accept these terms and have followed the fitting instructions.